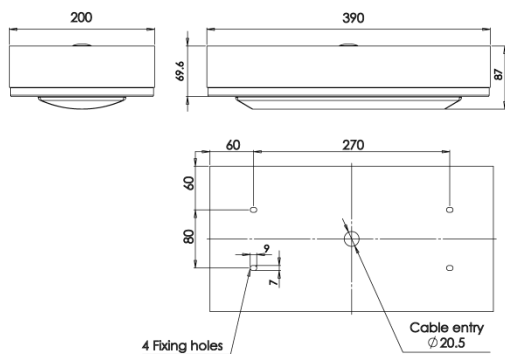
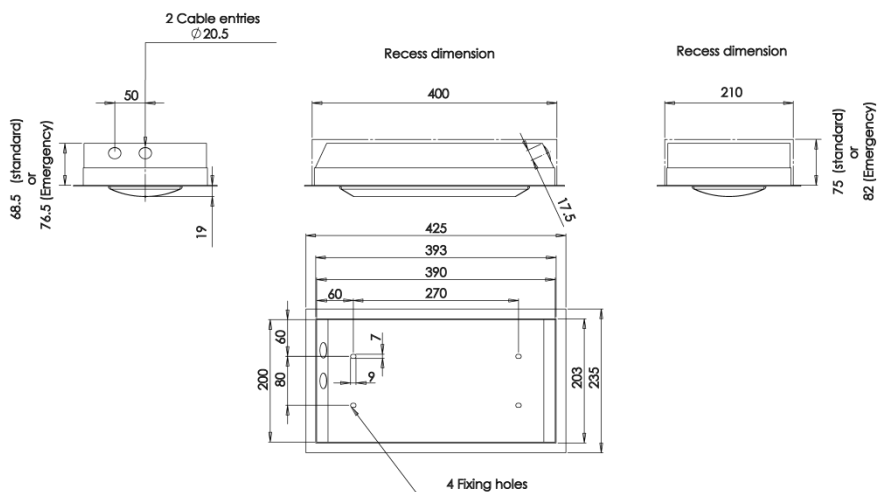


Product technical characteristics and features

**VAUBAN A:**



**VAUBAN E:**



**Standard installation kit:**

Rubber washer x4  
Metal washer x4

**General characteristics:**

Nominal voltage: 220 - 240V AC - 50 / 60 Hz  
Input voltage range: 198 - 264V AC  
Protection class: I  
Protection rating: IP65  
Mechanical impact resistance rating: IK10++ / 80 j

**Light source:** Fluorescent lamps or LED modules, depending on version.

**Power(s):** as per label product.

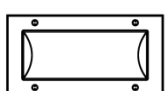

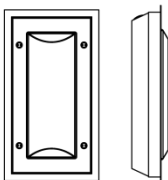
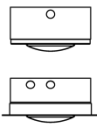
**Reference(s):** as per label product.

- Standard reference: 51xxx00 no detection (see this instruction)
- Options regarding the end of product's reference (see specific instructions):
  - 51xxx21 Dali dimmable + switch dimming + standby warning

**Other reference(s) with option(s):**

- See specific instructions.

Conditions of use

				
FLUO	OK	OK (Lampholder at the bottom)	OK	OK
LED	OK	OK	OK	OK

## Mounting / Installation



**Warning!** Versions using LEDs are susceptible to ESD (electrostatic discharge).

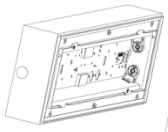


Fitting & installation must be carried out by a professional installer in accordance with current installation standards.

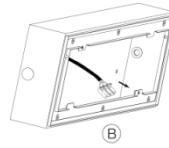


Isolate the power before fitting and connecting up.

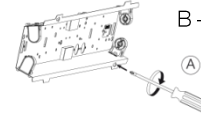
### Opening the luminaire:



Remove the frame + diffuser assembly using a suitable screwdriver fitted with the 98000004 special bit.

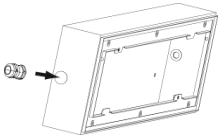


A – Unscrew the gear tray



B – Disconnect the gear tray

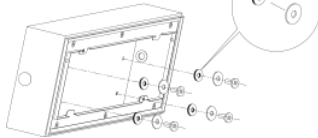
### Preparing the cable entry grommet:



In order to ensure the luminaire is sealed, it is vital to use a cable gland suitable for an M20 hole (not supplied). The unused cable entries must be blocked. Use 1.5 mm<sup>2</sup> U1000R2V type cable (recommended to maintain sealing).

### Fixing:

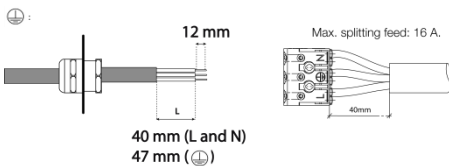
IP6X :



For mounting the luminaire, use 5 mm diameter flat-headed screws with fixing plugs suitable for the type of wall, in order to achieve optimum rip-out resistance. The screws and plugs are not supplied with the luminaire.

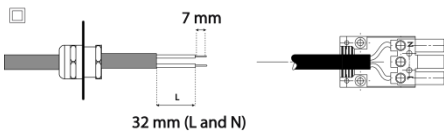
Use the rubber and metallic washer in order to maintain the sealing of the product.

### Preparing the cable entry grommet class 1 (Standard reference 51xxxx00):



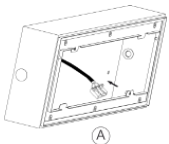
The cable must be prepared as per the diagrams. The conductors must be stripped for a length of 12 mm (Class I) or 7 mm (Class II). Respect the polarity. For Class II, fit the connector top cover.

### Preparing the cable entry grommet class 2 (Standard reference 51xxxx009502):



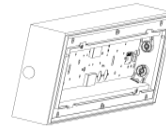
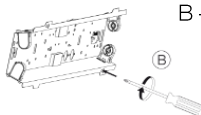
➤ For other cases, refer to the specific instructions for connection and splitting off.

### Closing the luminaire:



A – Connect up the gear tray

B – Screw up the gear tray



Refit the frame + diffuser assembly using a suitable screwdriver fitted with the 98000004 special bit.

## Cleaning

Cleaning of the luminaire is limited to cleaning the diffuser for proper light output. Clean the diffuser (with the luminaire closed) using a damp cloth or with soapy water.



**DO NOT USE DETERGENT**

## Maintenance

In order to avoid any risks, maintenance on the luminaire must be carried out by a professional installer or an authorized person with equivalent qualifications.

Replace the light source(s) when worn out.

## Recyclability



### *The VAUBAN is an eco-designed luminaire:*

- All the plastic or metal components can be dismantled and recycled via appropriate facilities.
- All the electronic components such as the LED circuit, power supply, etc. can be dismantled and recycled via appropriate facilities.