



BORG0

Features

- Input voltage: 220–240 V AC, 50/60 Hz
- Input voltage range: 198–264 V AC
- Electrical protection class 1
- IP: 65
- IK: 10++ / 80 joules
- Incandescent wire test 850 °C / 30 s
- Rated ambient operating temperature: 25 °C to NF EN 60598-1 standard
- VK46 wall-mounted
- IRC80 (LED version)
- SDCM (Standard Deviation Colour Matching): 3 (LED version)
- LED module life: L90B50 50,000 hr
- Photobiological hazard: RG0 (LED version)

Applications

- Architectural luminaire for indoor or outdoor environments subject to moderate and severe vandalism
- Installation positions: refer to installation instructions

Materials

- Base: 1 mm thick zinc-plated steel, frame 2 mm thick ZP steel
- Diffuser: opal polycarbonate (LED version)
- Diffuser: thermoformed clear pebble polycarbonate (fluorescent version)
- RoHS: the products contain no prohibited substances as defined in the European Directive 2011/65/CE and amendments

Colours / Finish

- Standard colour: graphite grey RAL 7016
- Abrasion-resistant polyester paint finish, withstands polluting chemical elements

Wiring

- Supply terminal block: automatic, dual-entry, for 3 × 1.5 mm² conductors
- 1 × 20.5 mm Ø cable entry (rear side)

Fixings

- Diffuser: retained by M6 stainless 2-point tamper-proof screws with sealing washers

Facilities available

- Opal PC diffuser: add the suffix **9406** to the product code – example: 5304 1300 **9406**
- Flat Duroflam® diffuser (LED): add the suffix **9413** to the product code – example: 5304 1300 **9413**
- Flat diffusing opal PC diffuser (LED): add the suffix **9415** to the product code – example: 5304 1300 **9415**
- Anti-graffiti protection: add the suffix **9601** to the product code – example: 5304 1300 **9601**
- Stainless crosspoint screws: add the suffix **9702** to the product code – example: 5304 1300 **9702**

Tools

(to be ordered separately)

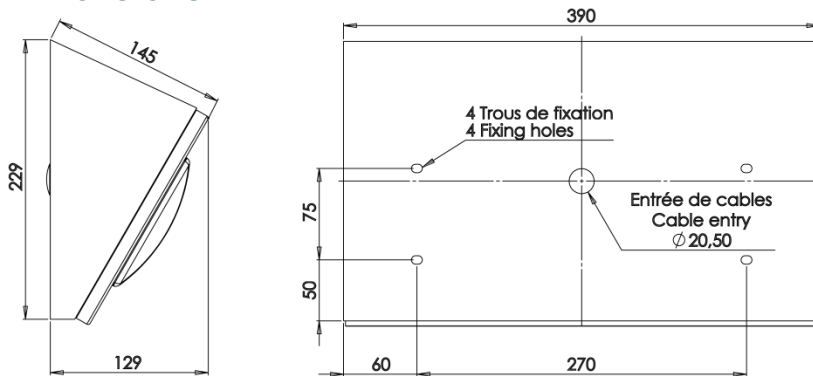
- M6 bit for 2-point tamper-proof screws – code: **9800 0004**
- Bit-holder screwdriver – code: **98000 0005**

Approvals

Certificates available:

- CE certificate (as per EN60598-1 / 2-1)
- Incandescent Wire Test certificate (depending on product)

Dimensions



BORG0 Fluorescent									
Designation	Base	CCT (K)	Lamp power (W)	Luminaire power (W)	Luminaire efficiency (%)	Source output (lm)	Source luminous efficiency (lm/W)	Lenght L (mm)	Code
1x24W TC-F	2G10	4000	24	27	59	1700	71	390	53001400
1x36W TC-F	2G10	4000	36	40	59	2800	78	390	53011400
2x11W TC-SE	2G7	4000	11	28	53	900	82	390	53021400
1x18W TC-L	2G11	4000	18	21	59	1200	67	390	53031400

BORG0 LED						
Designation	CCT (K)	Power (W)	Luminaire output (lm)	Luminaire efficacy (lm/W)	Lenght L (mm)	Code
1 module LLC900	3000K	7,8	600	77	390	53041300
1 module LLC900	4000K	7,8	650	83	390	53041400
2 modules LLC900	3000K	17	1350	79	390	53051300
2 modules LLC900	4000K	17	1450	85	390	53051400

Technical and dimensional data are given for information only and may be modified at any time without notice.
Please enquire before ordering.