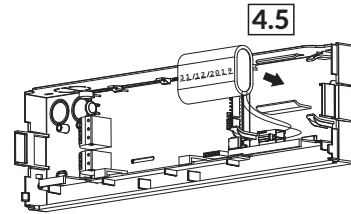
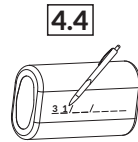
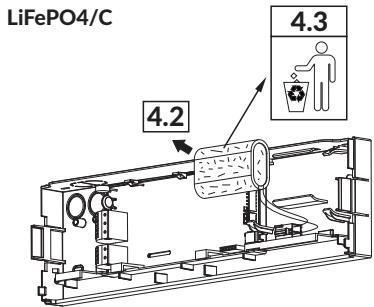


3.12 1.2 → 1.3 → 1.4

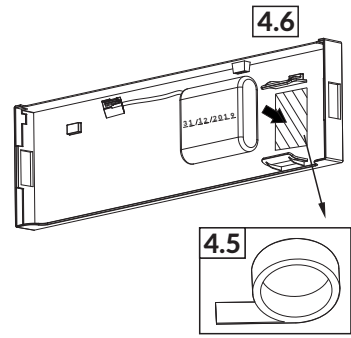
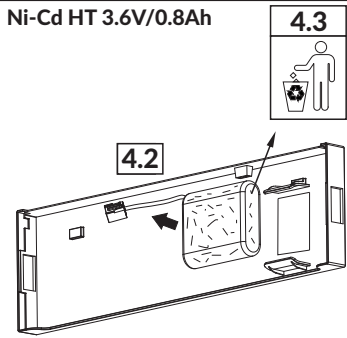
3.13 1.8a*(1.8b*) → 1.10

4 *ST / AT / DATA / DATA 2 / DALI 4.1 3.1 → 3.2 → 3.3a*(3.3b*)

LiFePO4/C

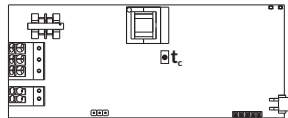


Ni-Cd HT 3.6V/0.8Ah



4.7 1.8a*(1.8b*) → 1.10

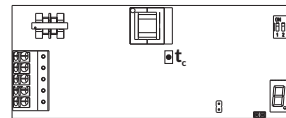
ONTEC G E1B / E1E / E1P
t_c 95°C



ONTEC G E1A / E1U
t_c 80°C



ONTEC G CBA
t_c 95°C



! CBA = CB2



I.OGV1.15.WS/26.05.2022

TM TECHNOLOGIE
emergency & evacuation lighting



IP 20

LED

3h

850 °C

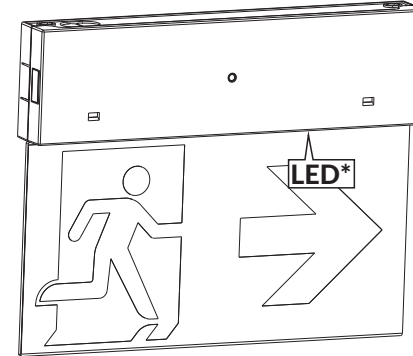


210 ÷ 250 V AC
50 / 60 Hz
186 ÷ 254 V DC

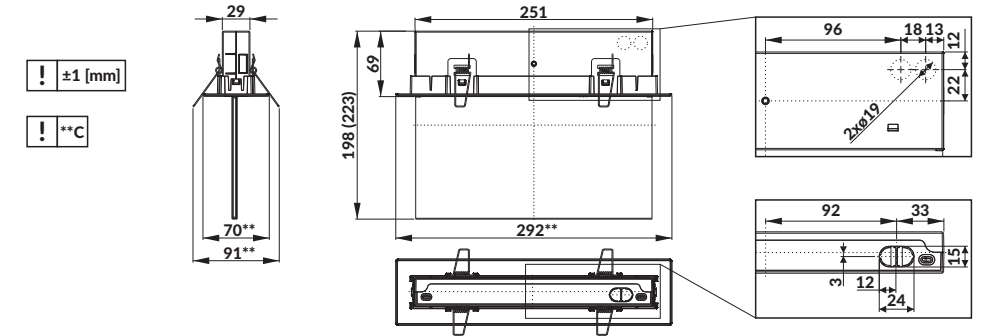
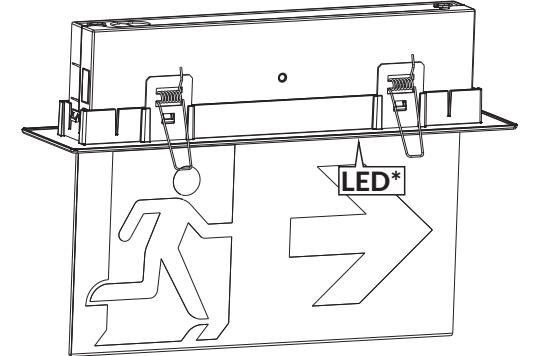
TM.ONTEC G



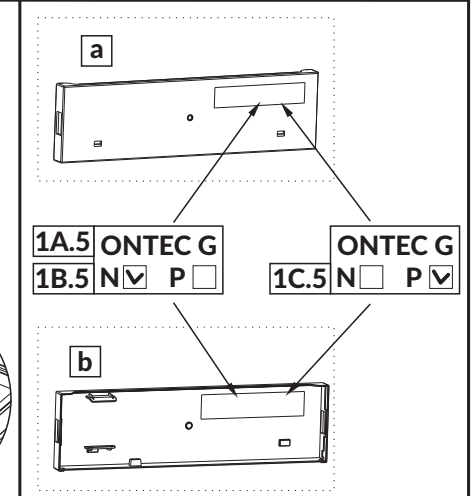
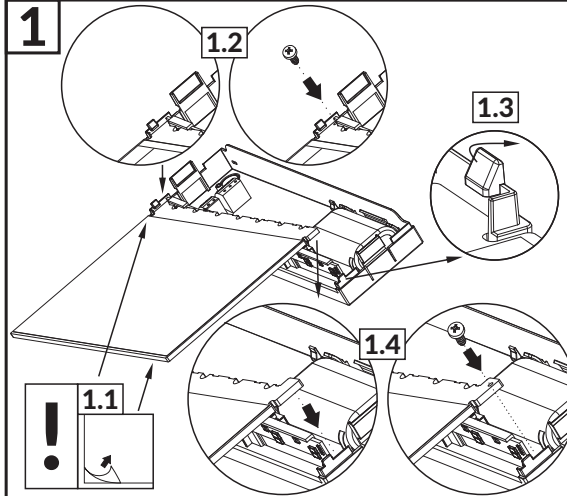
A, B



C



1



A 1A.6 [mm] 228

B 1B.6

C 1C.6

NM ■ ■ ■ ■ N L AB (DA DA)	CB / CBA E ■ ■ ■ ■ N/- L/+ CB
M ■ ■ ■ ■ ■ ■ N L L1 AB (DA DA)	CBAP ■ ■ ■ ■ ■ ■ N- L+ L1 L N CB
NM / M ■ ■ ■ ■ ■ ■ N N L L AB	

1.7

! CB = CB1
● CBA = CB2

ST / AT

D2R

L1

N L L1

DT/D2/DA

TM-PROG

E1X 60/180

ON

M 21

1 2

X1 *****G 60

ON

M 31

1 2

X0 *****G 60

ON

M 31

1 2

X0 *****G 180

ON

M 31

1 2

X1 *****G 180

1.9a 1.9b

1.9a

1.9b

1.10

1.8a*

1.8b*

C

1C.11

1C.12

1C.13

1C.14

[mm] 275 50

3

3.1

3.2

3.3a*

3.3b*

3.4

3.5

3.5

3.6

3.7

3.8

3.9

3.10

3.11

CBA / DATA 2

! CBA = CB2

TM-PROG

1.15

CBA ≤ 10mm / DATA 2 ≤ 30mm

LED*