

## Product, technical characteristics and features

Description	L	A	B	C	D
2 LLC	615	40.5	150	150	315
14-24W T5	598	40.5	150	150	298
14-24W T5 + sensor	730	155.5	180	150	430
2 LLC + sensor	760	155.5	150	150	460
21-39W T5	898	40.5	150	150	598
3 LLC	915	40.5	150	150	615
21-39W T5 + sensor	1030	155.5	180	150	730
3 LLC + sensor	1060	155.5	150	150	760
4 LLC	1195	40.5	150	150	895
28-54W T5	1198	40.5	150	150	898
28-54W T5 + sensor	1330	155.5	180	150	1030
4 LLC + sensor	1340	155.5	150	150	1040
5 LLC	1475	40.5	150	150	1175
35-49-80W T5	1498	40.5	150	150	1198
5 LLC + sensor	1620	155.5	150	150	1320
35-49-80W T5 + sensor	1630	155.5	180	150	1330

### Standard installation kit

Rubber washer x2.  
Metallic washer x2.

### General characteristics:

Nominal voltage: 220 - 240V AC - 50 / 60 Hz  
Input voltage range: 198V - 264V AC  
Protection class: I  
Protection rating: IP42  
Mechanical impact resistance rating: IK10 / 20j

**Light source:** Fluorescent lamps or LED modules, depending on version.

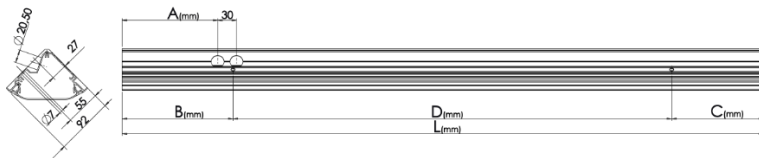
**Power(s):** as per label product.

**Reference(s):** as per label product.

- Standard reference: 30xxx00 no detection (see this instruction)
- Options regarding the end of product's reference (see specific instructions):
  - 30xxx21 DALI dimmable + switch dimming + standby warning
  - 30xxx12 with Pro detection
  - 30xxx14 with Pro detection + extinction warning
  - 30xxx15 with Pro detection + standby warning
  - 30xxx16 with Pro detection + radio-control
  - 30xxx04 slave version + extinction warning
  - 30xxx05 slave version + standby warning

**Other reference(s) with option(s):**

- See specific instructions.



## Conditions of use: ANGLE version only.

**Horizontal position:** LED and Fluo version.

**Vertical position:** LED and Fluo version.

### Recommendation:

Make sure the tubes are fitted with their markings on the same end.  
For vertical mounting, position the tubes with the markings downwards.

## Mounting / Installation



Warning, versions employing LEDs are at risk from ESD (electrostatic discharges).

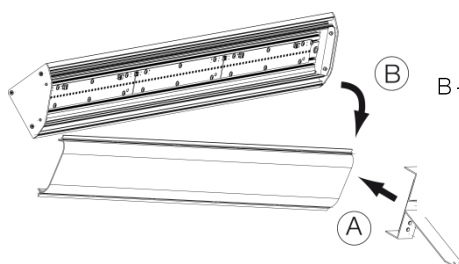


Fitting & installation must be carried out by a professional installer in accordance with current installation standards.



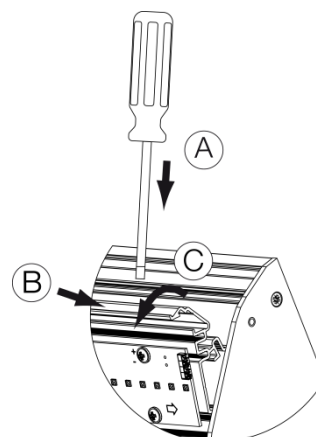
Isolate the power before fitting and connecting up.

### Opening the luminaire:



A - Introduce the special tool (98000009) into the diffuser gaps.

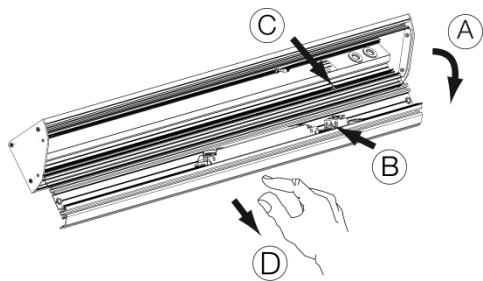
B - Press the special clamp and pull forward the diffuser while maintaining the other end, to not shock the leds.



### LED version:

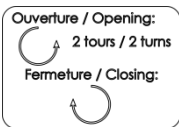
A - Introduce a flat screwdriver (width 3.5 > 5.5 mm) into the interstice between the aluminium profiles (on the geartray return side).

B+C - Use the screwdriver as a lever every 20-30 cm to unclip the geartray.

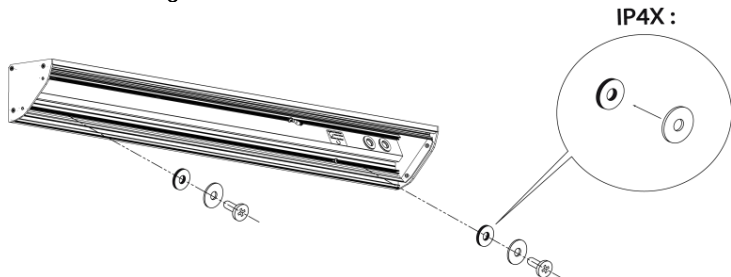


**LED version:**

- A – Turn the geartray.
- B – Disconnect the earth cable from the holder connector.
- C – Undo the geartray fixing screw (2 turns).
- D – Remove the geartray.

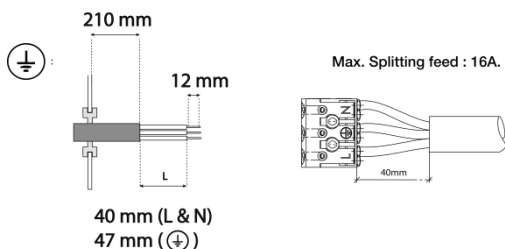


**Fixing:**



For mounting the luminaire, use 5 mm diameter flat-headed screws with fixing plugs suitable for the type of wall, in order to achieve optimum rip-out resistance. The screws and plugs are not supplied with the luminaire. Use the rubber and metal washers in order to maintain the sealing of the product. Use the pre-drilled holes to fix the luminaire. Wall fixing.

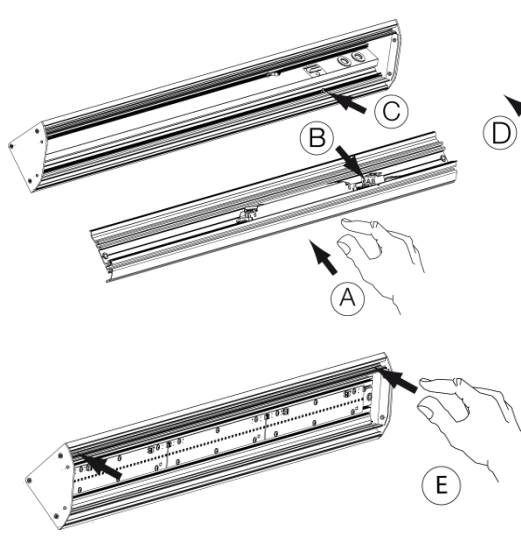
**Electrical connection (Standard reference: 30xxxx00):**



The cable must be prepared as per the diagrams. Respect the polarity.

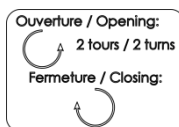
- For other cases, refer to the specific instructions for connection and splitting off.

**Closing the luminaire:**



**LED version**

- A – Insert the geartray.
- B – Connect the earth cable to the holder connector.
- C – Do up the geartray fixing screw.
- D – Turn the geartray.
- E – Clip the geartray on each side of the luminaire.



Clip the diffuser on the aluminium profile (LED and Fluo version).

**Cleaning**

Cleaning of the luminaire is limited to cleaning the diffuser for proper light output. Clean the diffuser (luminaire must be closed) using a damp cloth or with soapy water.



**Maintenance**

In order to prevent any risks, maintenance on the luminaire must be carried out by a professional installer or an authorized person with equivalent qualifications.

Replace the light source(s) when worn out.

**Recyclability**



**The SOFITE is an eco-designed luminaire:**

- All the plastic or metal components can be dismantled and recycled via appropriate facilities.
- All the electronic components such as the LED circuit, power supply, etc. can be dismantled and recycled via appropriate facilities.