



TITAN S (S2-S3-S4)

Features

- Input voltage: 220–240 V AC, 50/60 Hz
- Input voltage range: 198–264 V AC
- Electrical protection class 1
- IP: 65
- IK: 10++ / 120 joules
- IRC 80 (LED version)
- Incandescent wire test 850 °C / 30 s
- Rated ambient operating temperature: 25 °C to NF EN 60598-1 standard
- VK56 angle mounted, VK55 surface mounted, VK56 ceiling mounted, VK56 flush mounted
- SDCM (Standard Deviation Colour Matching): 5 (LED version)
- Photobiological hazard: RG0 (LED version)
- LED module lifetime: 50,000 hours L90B50 (LED version)

Applications

- Stainless version: 316L brushed stainless for severe corrosive environments (seaside), indoor and outdoor
- Stainless version: 314L painted stainless for indoor or outdoor environment
- Conditions of use:
 - Models with detection: suitable for indoor use
 - Installation positions: refer to installation instructions

Materials

- Base: 1 mm thick zinc-plated steel, frame 2 mm thick ZP steel
- Base (stainless version Titan S4): 316L stainless body and frame or 314L painted
- Fluo: clear pebble polycarbonate diffuser
- LED: opal polycarbonate diffuser
- RoHS: the products contain no prohibited substances as defined in the European Directive 2011/65/UE and amendments

Colours / Finish

- Standard colour: graphite grey RAL7016, abrasion-resistant polyester paint finish, withstands polluting chemical elements
- 316L brushed stainless
- 314L painted stainless: graphite grey RAL7016, abrasion-resistant polyester paint finish, withstands polluting chemical elements

Wiring

- Supply terminal block: automatic, dual-entry, for 3 × 1.5 mm² conductors, 3 poles for standard versions
- 2 side cable entries for M20 cable gland (not supplied)
- Sliding, plug-in gear tray

Fixings

- Diffuser: retained by M6 stainless 2-point tamper-proof screws with sealing washers

Facilities available

- Diffusing satin PC diffuser: add the suffix **9406** to the product code – example: 5000 1400 **9406**
- Flat Duroflam® diffuser: add the suffix **9413** to the product code – example: 5000 1400 **9413**
- Flat diffusing satin PC diffuser: add the suffix **9415** to the product code – example: 5000 1400 **9415**
- Anti-graffiti protection: add the suffix **9601** to the product code – example: 5000 1400 **9601**
- Stainless crosspoint screws (VK54): add the suffix **9702** to the product code – example: 5000 1400 **9702**

Tools

(to be ordered separately)

- M6 bit for 2-point tamper-proof screws – code: **9800 0004**
- Bit-holder screwdriver – code: **98000 0005**

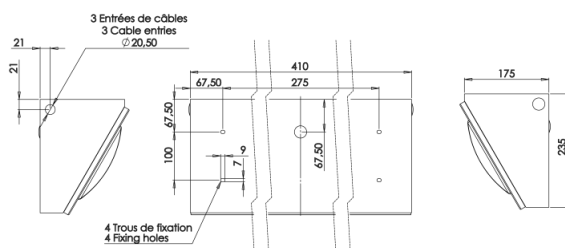
Approvals

Certificates available:

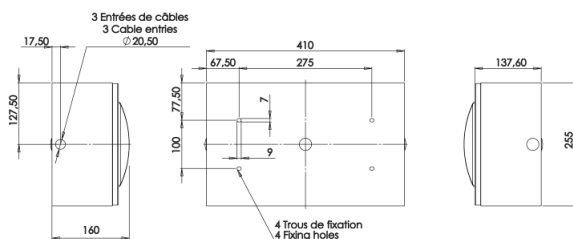
- CE certificate (as per EN60598-1 / 2-1 / 2-2)
- Incandescent Wire Test certificate (depending on product)
- Eligible for the BAR-EQ-110 for detection versions
- Eligible for the BAT-EQ-127

Dimensions

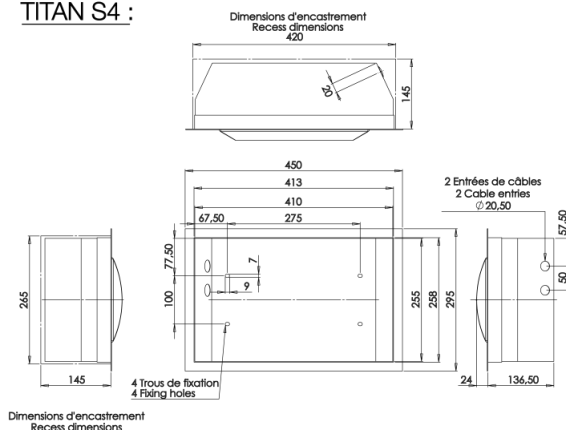
TITAN S2 :



TITAN S3 :



TITAN S4 :



| TITAN S2-S3-S4 FLUO | | | | | | | | | | | | |
|---------------------|------|---------|-----------|---------------------|--------------------------|--------------------|-----------------------------------|-------------|---------------|---------------|--------------------------------------|--------------------------------------|
| Designation | Base | CCT (K) | Power (W) | Luminaire power (W) | Luminaire efficiency (%) | Source output (lm) | Source luminous efficiency (lm/W) | Lenght (mm) | Code Titan S2 | Code Titan S3 | Code Titan S4 316L brushed stainless | Code Titan S4 304L painted stainless |
| 1x18 TC-L | 2G11 | 4000 | 18 | 21 | 63 | 1200 | 66,7 | 410 | 50001400 | 50201400 | 50408400 | 50501400 |
| 2x18 TC-L | 2G11 | 4000 | 18 | 43 | 60 | 1200 | 66,7 | 410 | 50011400 | 50211400 | 50418400 | 50511400 |
| 1x24 TC-L | 2G11 | 4000 | 24 | 27 | 63 | 1800 | 75 | 410 | 50021400 | 50221400 | 50428400 | 50521400 |
| 2x24 TC-L | 2G11 | 4000 | 24 | 55 | 60 | 1800 | 75 | 410 | 50031400 | 50231400 | 50438400 | 50531400 |

| TITAN S2-S3-S4 Metal-halide lamps | | | | | | | | | | | | |
|-----------------------------------|------|---------|-----------|---------------------|--------------------------|--------------------|-----------------------------------|-------------|---------------|---------------|--------------------------------------|--------------------------------------|
| Designation | Base | CCT (K) | Power (W) | Luminaire power (W) | Luminaire efficiency (%) | Source output (lm) | Source luminous efficiency (lm/W) | Lenght (mm) | Code Titan S2 | Code Titan S3 | Code Titan S4 316L brushed stainless | Code Titan S4 304L painted stainless |
| 1x70W | G12 | 3000 | 70 | 70 | 61 | 6700 | 95,7 | 410 | 50041300 | 50241300 | 50448300 | 50541300 |

| TITAN S2-S3-S4 LED | | | | | | | | | | | |
|--------------------|---------|-----------|----------------------|-----------------------|---------------------------|-------------|---------------|---------------|--------------------------------------|--------------------------------------|--|
| Designation | CCT (K) | Power (W) | Power in standby (W) | Luminaire output (lm) | Luminaire efficacy (lm/W) | Lenght (mm) | Code Titan S2 | Code Titan S3 | Code Titan S4 316L brushed stainless | Code Titan S4 304L painted stainless | |
| 2x900lm | 3000K | 14 | - | 1430 | 102 | 410 | 50061300 | 50261300 | 50468300 | 50561300 | |
| 2x900lm | 4000K | 14 | - | 1490 | 106 | 410 | 50061400 | 50261400 | 50468400 | 50561400 | |
| 2x1300lm | 3000K | 22 | - | 2400 | 109 | 410 | 50071300 | 50271300 | 50478300 | 50571300 | |
| 2x1300lm | 4000K | 22 | - | 2500 | 114 | 410 | 50071400 | 50271400 | 50478400 | 50571400 | |
| 2x2400lm | 3000K | 34 | - | 3350 | 99 | 410 | 50051300 | 50251300 | 50458300 | 50551300 | |
| 2x2400lm | 4000K | 34 | - | 3450 | 101 | 410 | 50051400 | 50251400 | 50458400 | 50551400 | |

| TITAN S2-S3-S4 LED + PRO detection - <i>technical specifications and conditions of use for detection</i> www.securlite.com (NOT0410) | | | | | | | | | | | |
|---|---------|-----------|----------------------|-----------------------|---------------------------|-------------|---------------|---------------|--------------------------------------|--------------------------------------|--|
| Designation | CCT (K) | Power (W) | Power in standby (W) | Luminaire output (lm) | Luminaire efficacy (lm/W) | Lenght (mm) | Code Titan S2 | Code Titan S3 | Code Titan S4 316L brushed stainless | Code Titan S4 304L painted stainless | |
| 2x900lm | 3000K | 15 | - | 1430 | 95 | 410 | 50061312 | 50261312 | 50468312 | 50561312 | |
| 2x900lm | 4000K | 15 | - | 1490 | 99 | 410 | 50061412 | 50261412 | 50468412 | 50561412 | |
| 2x1300lm | 3000K | 23 | - | 2400 | 104 | 410 | 50071312 | 50271312 | 50478312 | 50571312 | |
| 2x1300lm | 4000K | 23 | - | 2500 | 107 | 410 | 50071412 | 50271412 | 50478412 | 50571412 | |
| 2x2400lm | 3000K | 35 | - | 3350 | 96 | 410 | 50051312 | 50251312 | 50458312 | 50551312 | |
| 2x2400lm | 4000K | 35 | - | 3450 | 99 | 410 | 50051412 | 50251412 | 50458412 | 50551412 | |

Technical and dimensional data are given for information only and may be modified at any time without notice. Please enquire before ordering.