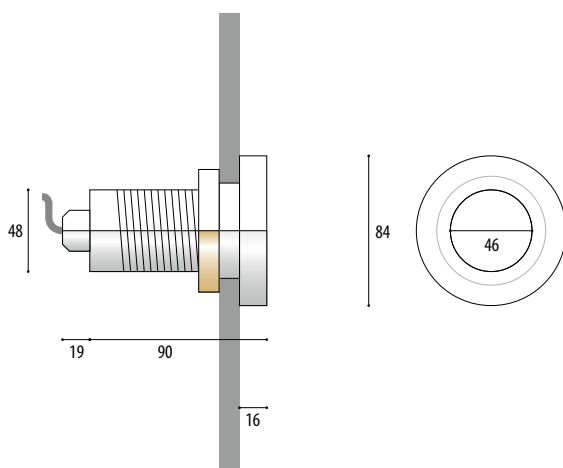
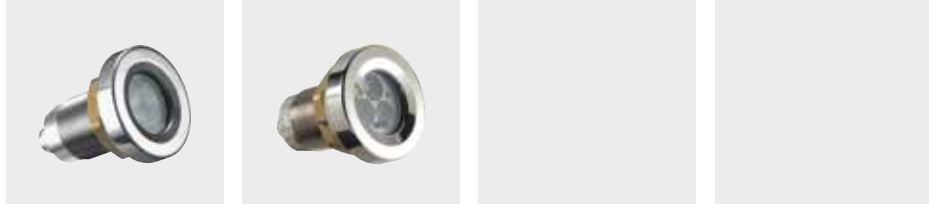




# RECESSED SPOTLIGHT 4.0080

UNDERWATER

IP68



Article number	Lamps	Lumen	Light colour	Wattage	V/mA	Socket	Radiation angle	Cable, installs	LDC
----------------	-------	-------	--------------	---------	------	--------	-----------------	-----------------	-----

VERSIONS: ONLY UNDERWATER OPERATION

POW-LED

<b>4.0080.00.11</b>	3 POW-LED cold white	450 lm	6.000K	total 9 W	700 mA		30° medium	UW, 2x1,5 qmm	W33
<b>4.0080.00.12</b>	3 POW-LED warm white	390 lm	3.000K	total 9 W	700 mA		30° medium	UW, 2x1,5 qmm	
<b>4.0080.00.13</b>	3 POW-LED neutral white	420 lm	4.500K	total 9 W	700 mA		30° medium	UW, 2x1,5 qmm	

HALOGEN

<b>4.0080.00.35</b>	QR-CBC51	430	3.000K	35W	12V-AC	GU5,3	36°	Si, 2x1,5 qmm	C33
<b>4.0080.00.50</b>	QR-CBC51	680	3.000K	50W	12V-AC	GU5,3	36°	Si, 2x1,5 qmm	C43

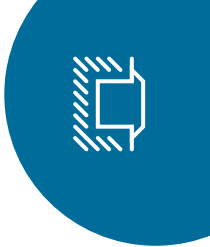
VERSIONS: UNDER- AND OVERWATER OPERATION (ACCORDING TO PRIOR AGREEMENT)

POW-LED

<b>4.0080.00.14</b>	3 POW-LED yellow			total 5 W	350 mA		30° medium	UW, 2x1,5 qmm	
<b>4.0080.00.15</b>	3 POW-LED red			total 5 W	350 mA		30° medium	UW, 2x1,5 qmm	
<b>4.0080.00.16</b>	3 POW-LED blue			total 5 W	350 mA		30° medium	UW, 2x1,5 qmm	
<b>4.0080.00.17</b>	3 POW-LED green			total 5 W	350 mA		30° medium	UW, 2x1,5 qmm	
<b>4.0080.00.19</b>	3 POW-LED RGB			all on 5 W	350 mA		30° medium	Si, 6x0,5 qmm	

HALOGEN

<b>4.0080.00.20</b>	QR-CBC51	210	3.000K	20W	12V-AC	GU5,3	36°	Si, 2x1,5 qmm	C22
---------------------	----------	-----	--------	-----	--------	-------	-----	---------------	-----



# 4.0080 | RECESSED SPOTLIGHT

FOR ILLUMINATING AND ACCENTUATING SMALLER THIN WALLED SWIMMING POOLS AND JACUZZIS.

IP68	STAINLESS STEEL V4A 1.4571 316Ti	POW-LED INCL.	3.000 K 4.500 K 6.000 K COLOR	350 mA 700 mA	CABLE INCL.				CE	
------	--	---------------	--	------------------	-------------	--	--	--	----	--



- Protection class IP68 – up to 10 m water depth
- Entirely made of stainless steel 316Ti 1.4571
- ...
- POW-LED weiß 700 mA
- POW-LED clored 350 mA
- POW-LED RGB 350 mA
- low voltage halogen QR-CB51 ES 12 V-AC
- ...
- With screw-type flange for pre-fabricated pools or containers
- Cable gland PG11, marine grade 316Ti stainless steel
- Supplied with light source and cable (3 m) already connected

Power supplies Technical details see from page 222.

5.0670.65.10		5.0670.65.20	
5.0670.65.10	Power supply, max 1 spotlights	5.0670.65.20	Power supply, max 2 spotlights
5.0670.65.10		5.0670.65.20	

5.0098.00.00	Transformer, max 1 spotlights
5.0098.00.00	Transformer, max 1 spotlights

5.0635.65.03		5.0635.65.10	
5.0635.65.03	Power supply, max 1 spotlights	5.0635.65.10	Power supply, max 2 spotlights
5.0635.65.03		5.0635.65.10	
5.0635.09.16	RGB-Controller, max 4 spotlights	5.0635.09.24	RGB-Controller, max 6 spotlights

5.0098.00.00	Transformer, max 2 spotlights
--------------	-------------------------------

## NOTE

POW-LED, series-connected

## OPTIONS

Possible beam angle POW-LED

10°	30°	45°	90°	15x40°
-----	-----	-----	-----	--------

Possible beam angle HALOGENE

10°	24°	36°	60°
-----	-----	-----	-----